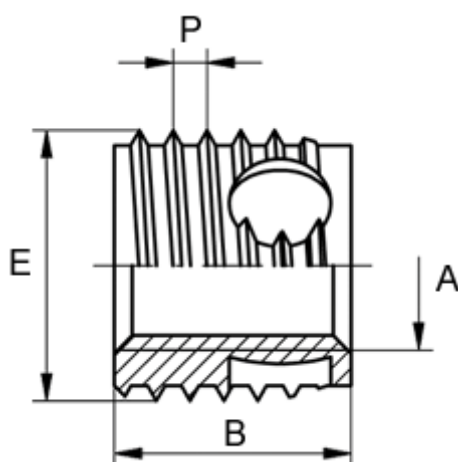


Article number: 12338000030500  
Description: KLEE-coil 338 000 030.500  
M3 St. steel 1.4305

## Measures

---



Female thread A	= M3
Length B	= 6
Male thread E	= 5.0
Min hole depth blind hole	= 8
Thread pitch P	= 0.60
Type	= 338 000 030 ...